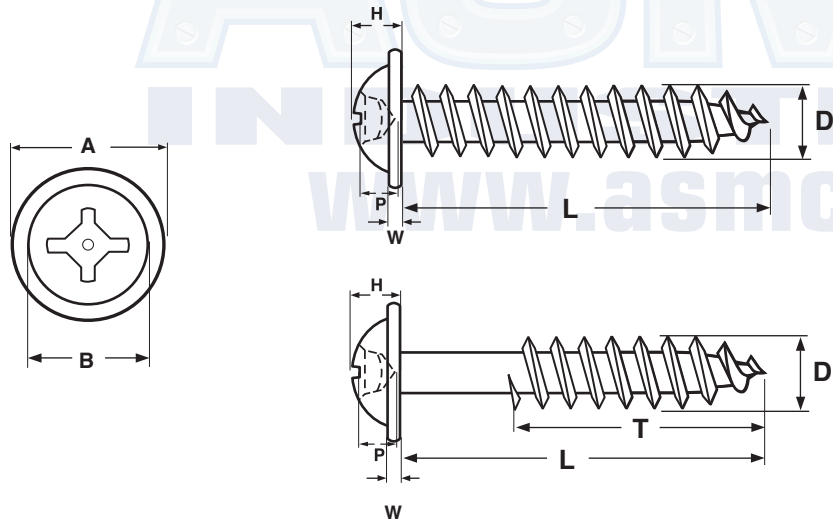


**DEEP THREAD** **Round Washer Head w/  
Square-Phillips Recess**



ROUND WASHER SQUARE/PHILLIPS RECESS DEEP THREAD WOOD SCREW														
Nominal Diameter	A		B	H		P		W		D		T		Recess Size (Square & Phillips)
	Washer Diameter		Head Diameter	Total Head Height		Recess Depth		Washer Thickness		Major Diameter		Threaded Length		
	Max	Min	Ref	Max	Min	Max	Min	Max	Min	Max	Min	L ≤ 1"	L > 1"	
8	0.376	0.352	0.305	0.120	0.110	0.080	0.065	0.050	0.030	0.174	0.164	Full thread	2/3 thread	#2
Tolerance on Length	Up to 5/8"						+0 / -0.03							
	Over 5/8 to 1.5"						+0 / -0.05							
	Over 1.5 to 2.75"						+0 / -0.06							
	Over 2.75 to 5"						+0 / -0.09							

<b>Description</b>	An externally threaded fastener with a dome-shaped head and an integrally formed washer; a recess that can accommodate either a Phillips or Square screwdriver; and a single lead thread. The shank has a reduced diameter.
<b>Applications / Advantages</b>	The deeper thread design offers greater resistance to pull-out forces. The round washer head is preferable in softer woods and offers a greater bearing surface than a countersunk design. Used to attach surface-mounted door hinges or master lock hasps into dense woods or when attaching two pieces of wood through a pocket hole.
<b>Material</b>	C1022 case-hardened steel
<b>Surface Hardness</b>	Rockwell C 45 minimum
<b>Case Depth</b>	0.004" - 0.009"
<b>Torque</b>	35 kg/cm minimum
<b>Plating</b>	See Appendix-A for plating information