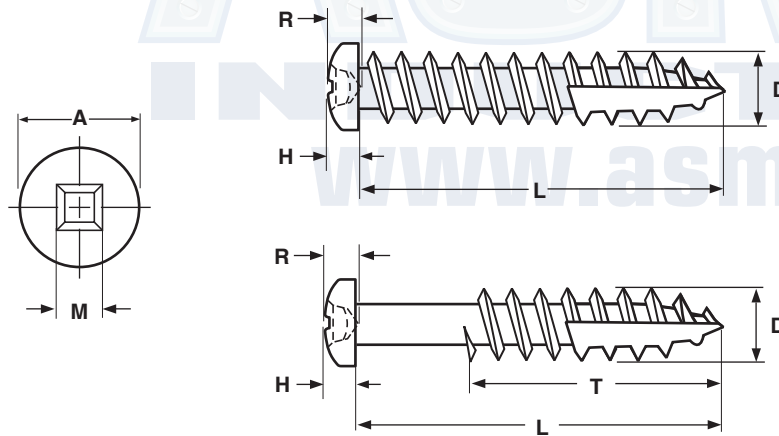


**Pan Head w/ Square Recess** **TYPE-17 DEEP THREAD**



| PAN SQUARE RECESS DEEP THREAD WOOD SCREW WITH TYPE-17 POINT |                   |       |             |       |              |       |                 |                |        |                 |            |             |
|---|-------------------|-------|-------------|-------|--------------|-------|-----------------|----------------|--------|-----------------|------------|-------------|
| Nominal Diameter  | A                 |       | H           |       | R            |       | M               | D              |        | T               |            | Recess Size |
|   | Head Diameter     |       | Head Height |       | Recess Depth |       | Recess Diameter | Major Diameter |        | Threaded Length |            |             |
|   | Max               | Min   | Max         | Min   | Max          | Min   | Ref             | Max            | Min    | L ≤ 1"          | L > 1"     |             |
| 6   | 0.270             | 0.256 | 0.108       | 0.087 | 0.065        | 0.050 | 0.091           | 0.142          | 0.131  | Full thread     | 2/3 thread | #1          |
| 7   | 0.296             | 0.281 | 0.111       | 0.099 | 0.065        | 0.050 | 0.091           | 0.158          | 0.147  | Full thread     | 2/3 thread | #1          |
| 8   | 0.322             | 0.306 | 0.124       | 0.105 | 0.080        | 0.060 | 0.112           | 0.174          | 0.159  | Full thread     | 2/3 thread | #2          |
| 10  | 0.373             | 0.357 | 0.133       | 0.122 | 0.075        | 0.060 | 0.112           | 0.194          | 0.187  | Full thread     | 2/3 thread | #2          |
| Tolerance on Length   | Up to 5/8"        |       |             |       |              |       |                 |                | ± 0.03 |                 |            |             |
|   | Over 5/8 to 1.5"  |       |             |       |              |       |                 |                | ± 0.05 |                 |            |             |
|   | Over 1.5 to 2.75" |       |             |       |              |       |                 |                | ± 0.06 |                 |            |             |
|   | Over 2.75 to 5"   |       |             |       |              |       |                 |                | ± 0.09 |                 |            |             |

|                                  |  |  |
|----------------------------------|--|--|
| <b>Description</b>               | An externally threaded fastener with a dome-shaped head, square recess and a single lead thread. The shank has a reduced diameter and a chip cavity cut out where the final several threads, ending at the tip. Square recess is preferred in many overhead installations. |  |
| <b>Applications / Advantages</b> | The deeper thread design offers greater resistance to pull-out forces as compared to standard wood screws. Popular in fastening cabinet hardware.  | Used in environments where corrosion resistance is necessary. The type-17 point enables the screw to more easily penetrate the material into which it's fastened. Can be used in particle board, wood and some plastics. |
| <b>Material</b>                  | C1018 - 1022 case-hardened steel   | 18-8 Stainless Steel   |
| <b>Surface Hardness</b>          | Vickers 450 HV minimum   | -  |
| <b>Case Depth</b>                | 0.004" - 0.009"  | -  |
| <b>Plating</b>                   | See Appendix-A for plating information   | Stainless deep thread screws are usually supplied without additional finish.   |