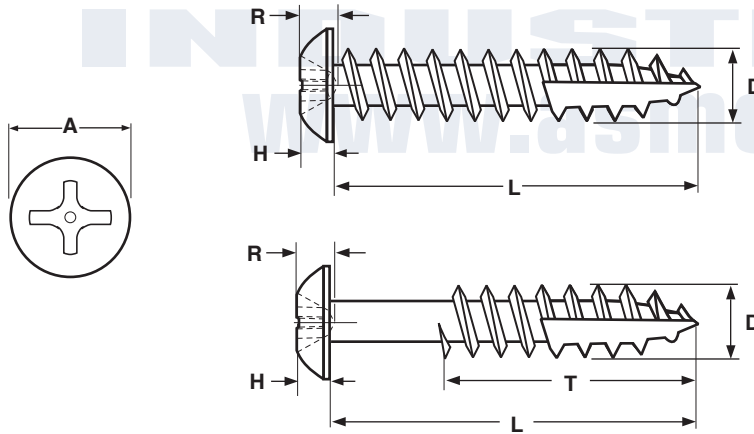


Truss Head
w/ Phillips Recess

TYPE-17 DEEP THREAD



TRUSS PHILLIPS RECESS DEEP THREAD WOOD SCREW w/TYPE-17 POINT												
Nominal Diameter	A		H		R		D		T		Torque (kg/cm)	Recess Size
	Head Diameter		Head Height		Recess Depth		Major Diameter		Threaded Length			
	Max	Min	Max	Min	Max	Min	Max	Min	L ≤ 1"	L > 1"	Min	
6	0.321	0.303	0.086	0.074	0.073	0.048	0.141	0.135	Full thread	2/3 thread	21	2
8	0.384	0.364	0.102	0.088	0.088	0.063	0.168	0.161	Full thread	2/3 thread	35	2
Tolerance on Length		Up to 5/8"					+0; - 0.03					
		Over 5/8 to 1.5"					+0; - 0.05					

Description	An externally threaded fastener with a head having a low rounded top, a cross recess and a single lead thread. The shank has a reduced diameter. The shank has a reduced diameter and a chip cavity cut out where the final several threads.
Applications / Advantages	The deeper thread design offers greater resistance to pull-out forces as compared to standard wood screws. Popular use is in construction of drawer slides. The chip cavity (or auger point) enables the fastener to drive—especially in denser woods—without pre-drilling a pilot hole.
Material	C1018 - 1022 case-hardened steel
Surface Hardness	Vickers 450 HV minimum
Case Depth	0.004" - 0.009"
Torque	See values in above table
Plating	See Appendix-A for plating information