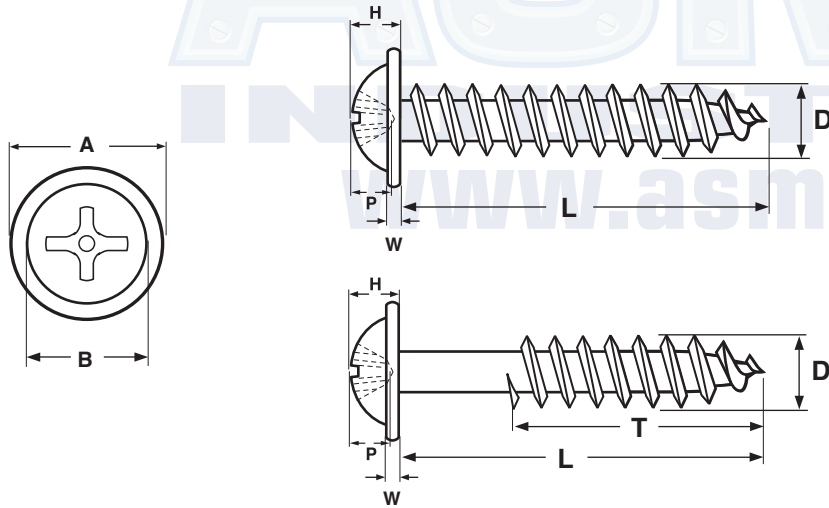


DEEP THREAD **Large Round Washer Head w/ Phillips Recess**



LARGE ROUND WASHER PHILLIPS RECESS DEEP THREAD WOOD SCREW												
Nominal Diameter	A		B	H		P		D		T		Recess Size
	Washer Diameter		Head Diameter	Total Head Height		Recess Depth		Major Diameter		Threaded Length		
	Max	Min	Ref	Max	Min	Max	Min	Max	Min	L ≤ 1"	L > 1"	
8	0.500	0.472	0.300	0.130	0.118	0.093	0.066	0.168	0.161	Full thread	2/3 thread	#2
Tolerance on Length	Up to 5/8"						+0 / -0.03					
	Over 5/8 to 1.5"						+0 / -0.05					
	Over 1.5 to 2.75"						+0 / -0.06					
	Over 2.75 to 5"						+0 / -0.09					

Description	An externally threaded fastener with a dome-shaped head and an integrally formed washer; a recess that can accommodate a Phillips screwdriver; and a single lead thread. The head is approximately 33% larger than that of a typical round washer screw of the same nominal diameter. The shank has a reduced diameter.
Applications / Advantages	The deeper thread design offers greater resistance to pull-out forces. The extra large head (a) allows for precise adjustment when aligning multiple drawer fronts to one another, and (b) offers a greater bearing surface than a countersunk design.
Material	C1022 case-hardened steel
Surface Hardness	Rockwell C 45 minimum
Case Depth	0.004" - 0.009"
Torque	35 kg/cm minimum
Plating	See Appendix-A for plating information