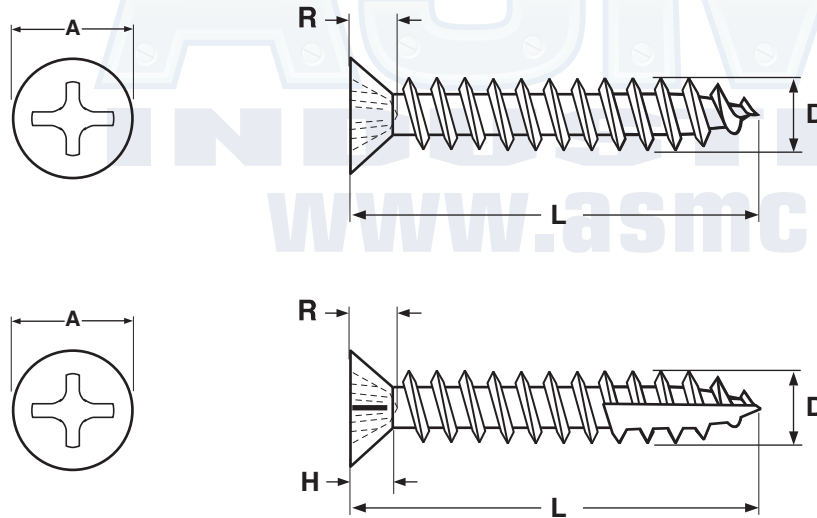


**Large Flat Head w/  
Phillips Recess** **DEEP THREAD**



<b>LARGE FLAT PHILLIPS RECESS DEEP THREAD WOOD SCREW</b>									
Nominal Diameter	A		R		D		T		Recess Size
	Head Diameter		Recess Depth		Major Diameter		Threaded Length		
	Max	Min	Max	Min	Max	Min	L ≤ 1"	L > 1"	
6	0.279	0.260	0.095	0.072	0.141	0.135	Full thread	2/3 thread	#2
Tolerance on Length	Up to 5/8"								+0 / -0.03
	Over 5/8 to 1.5"								+0 / -0.05
	Over 1.5 to 2.75"								+0 / -0.06
	Over 2.75 to 5"								+0 / -0.09

<b>Description</b>	An externally threaded fastener with an oversized countersunk head, crossed recess, a single lead thread and a shank with a reduced diameter.
<b>Applications / Advantages</b>	The larger head size is ideal for fitting drawer slides and hinge plates in how they compensate for pre-drilled holes that run large. The deeper thread design offers greater resistance to pull-out forces. The type-17 chip cavity reduces the chances of splitting the wood.
<b>Material</b>	C1022 case-hardened steel
<b>Surface Hardness</b>	Rockwell C 45 minimum
<b>Case Depth</b>	0.004" - 0.009"
<b>Torque</b>	#6: 22 kg/cm minimum
<b>Plating</b>	See Appendix-A for plating information