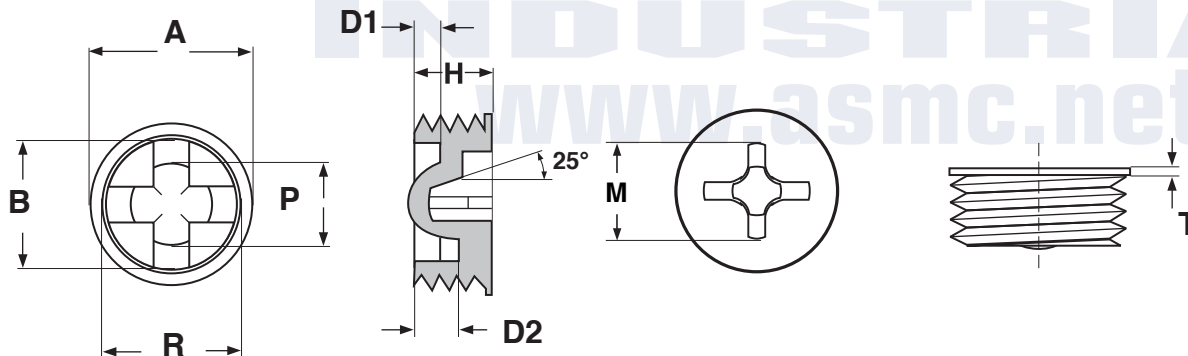


ZAMAC #3  
Zinc Alloy

# Phillips Pipe Plug

# Pipe Plugs



**PHILLIPS PIPE PLUGS WITH NPT THREAD**

Nominal Diam & Thread Pitch	A		R	B		P		D1		D2		H		M		T
	Outside Diameter		Root Diam.	Bottom Internal Diameter		Bulb Diameter		Depth to Cross Recess (Underside)		Total Underside Depth		Total Thickness		Recess Diameter		Thread Stop Thickness
	Max	Min		Max	Min	Max	Min	Max	Min	Max	Min	Max	Min	Max	Min	Nom
1/2-14	.823	.813	.700	.630	.620	.395	.385	.114	.104	.180	.170	.266	.234	.546	.516	1/32