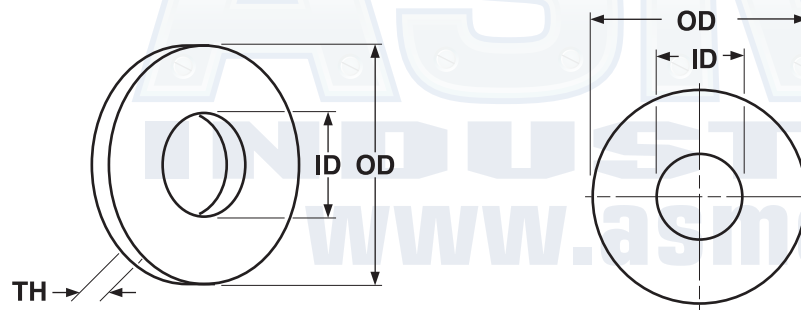


**FLAT WASHERS**

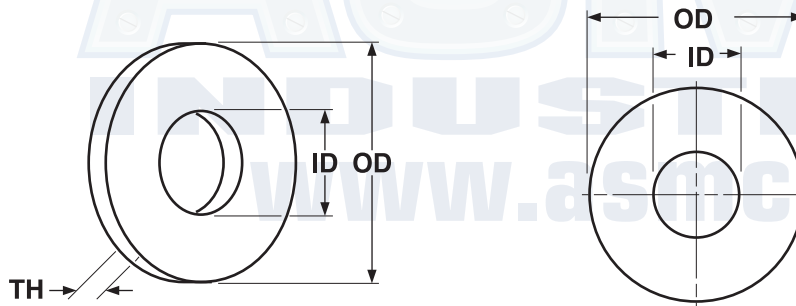
Standard Sizes



NYLON FLAT WASHERS						
Nominal Washer Size	OD		ID		TH	
	Outside Diameter		Inside Diameter		Thickness	
	Max	Min	Max	Min	Max	Min
2 x 1/4 x .032	.265	.235	.095	.085	.037	.027
2 x 1/4 x .062	.265	.235	.095	.085	.067	.057
2 x 1/4 x .093	.265	.235	.095	.085	.098	.088
2 x 1/4 x .125	.265	.235	.095	.085	.130	.120
4 x 1/4 x .032	.265	.235	.120	.110	.037	.027
4 x 1/4 x .062	.265	.235	.120	.110	.067	.057
4 x 1/4 x .093	.265	.235	.120	.110	.098	.088
4 x 1/4 x .125	.265	.235	.120	.110	.130	.120
6 x 5/16 x .032	.327	.297	.145	.135	.037	.027
6 x 5/16 x .062	.327	.297	.145	.135	.067	.057
6 x 5/16 x .093	.327	.297	.145	.135	.098	.088
6 x 5/16 x .125	.327	.297	.145	.135	.130	.120
8 x 3/8 x .032	.390	.360	.176	.166	.037	.027
8 x 3/8 x .062	.390	.360	.176	.166	.067	.057
8 x 3/8 x .093	.390	.360	.176	.166	.098	.088
8 x 3/8 x .125	.390	.360	.176	.166	.130	.120
10 x 3/8 x .032	.390	.360	.199	.189	.037	.027
10 x 3/8 x .062	.390	.360	.199	.189	.067	.057
10 x 3/8 x .093	.390	.360	.199	.189	.098	.088
10 x 3/8 x .125	.390	.360	.199	.189	.130	.120
1/4 x 1/2 x .032	.515	.485	.262	.252	.037	.027
1/4 x 1/2 x .062	.515	.485	.262	.252	.067	.057
1/4 x 1/2 x .093	.515	.485	.262	.252	.098	.088
1/4 x 1/2 x .125	.515	.485	.262	.252	.130	.120

Standard Sizes

FLAT WASHERS



NYLON FLAT WASHERS						
Nominal Washer Size	OD		ID		TH	
	Outside Diameter		Inside Diameter		Thickness	
	Max	Min	Max	Min	Max	Min
5/16 x 1/2 x .032	.515	.485	.322	.312	.037	.027
5/16 x 1/2 x .062	.515	.485	.322	.312	.067	.057
5/16 x 1/2 x .093	.515	.485	.322	.312	.098	.088
3/8 x 5/8 x .032	.640	.610	.385	.375	.037	.027
3/8 x 5/8 x .062	.640	.610	.385	.375	.067	.057
3/8 x 5/8 x .093	.640	.610	.385	.375	.098	.088
7/16 x 3/4 x .032	.765	.735	.448	.438	.037	.027
7/16 x 3/4 x .062	.765	.735	.448	.438	.067	.057
7/16 x 3/4 x .093	.765	.735	.448	.438	.098	.088
1/2 x 3/4 x .032	.765	.735	.510	.500	.037	.027
1/2 x 3/4 x .062	.765	.735	.510	.500	.067	.057
1/2 x 3/4 x .093	.765	.735	.510	.500	.098	.088

<b>Description</b>	A thin, flat circular stamping with a centrally located hole
<b>Applications/Advantages</b>	Designed for assembly around a nylon screw. Flat washers improve stress distribution and help to span large clearance holes.
<b>Material</b>	Nylon 6/6
<b>Hardness</b>	Rockwell M80
<b>Thermal Properties</b>	<i>Melting Point:</i> 500° F <i>Continuous Use Temperature:</i> 185° F