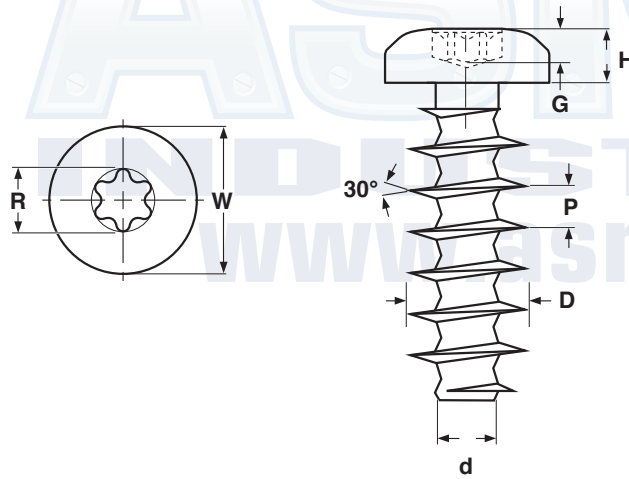


THREAD FORMING SCREWS



METRIC - TYPE PT®-ALTERNATIVE THREAD FORMING SCREWS, PAN 6-LOBE											
Screw Size	P	D		d	W		H		R	G	Drive Size
	Thread Dimensions				Head Dimensions				Recess Dimensions		
	Thread Pitch	External Thread Diam.		Thread Core	Diameter		Height		Diameter	Gauge Penetration	
		Max	Min	Ref	Max	Min	Max	Min	Max	Min	
M1.6	0.67	1.85	1.6	0.92	3.20	2.90	1.225	0.975	1.75	0.50	T6
M2	0.89	2.14	2.0	1.15	3.60	3.30	1.625	1.375	1.75	0.63	T6
M2.2	0.98	2.34	2.20	1.25	4.00	3.72	1.70	1.56	1.75	0.70	T6
M2.5	1.12	2.64	2.5	1.40	4.20	3.92	1.90	1.76	2.05	0.70	T7
M3	1.34	3.14	3.00	1.66	5.60	5.32	2.20	2.06	2.80	1.05	T10
M3.5	1.57	3.68	3.50	1.91	6.90	6.56	2.40	2.26	2.80	1.15	T10
M4	1.79	4.18	4.00	2.17	7.50	7.16	2.70	2.56	3.95	1.25	T20
M5	2.24	5.18	5.00	2.68	8.20	7.86	3.00	2.86	3.95	1.40	T20
Tolerance on Length				3 ~ 6mm: ± 0.30 mm				7 ~ 10mm: ± 0.40 mm			
				11 ~ 30mm: ± 0.50 mm				31 ~ 80mm: ±0.65 mm			

Description	A spaced thread fastener with a head that has a gently rounded top, cylindrical sides and a flat bearing surface that is 90° to the screw's shank. When compared to a Plastite®-alternative thread rolling screw, the PT®-alternative threads are wider and have a sharper angle. Furthermore, the core of the shank has a reduced diameter between each consecutive set of threads. The point opposite the head is blunt.	
Applications/ Advantages	Designed to form its own thread in thermoplastic materials. The 30° thread angle reduces the outward expansion of the material being displaced. The recessed design of the thread root enables more material to flow into the area between threads. The depth of the thread pattern increases the fastener's load carrying properties while resisting vibrations, thus resisting loosening.	
Material	<i>Steel</i> Diameter M3 & smaller: Case-Hardened C1022 Steel Diameters M3.5 and larger: Through-hardened C1022 Steel	<i>Stainless</i> A2 Stainless
Core Hardness	HV 270 - 390	
Surface Hardness	HV 450 min.	

Type PT® is a registered trademark of EJOT Verbindungstechnik GmbH & Co. KG.