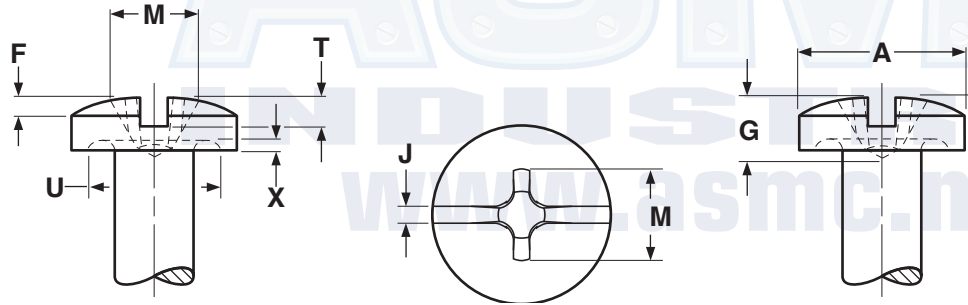
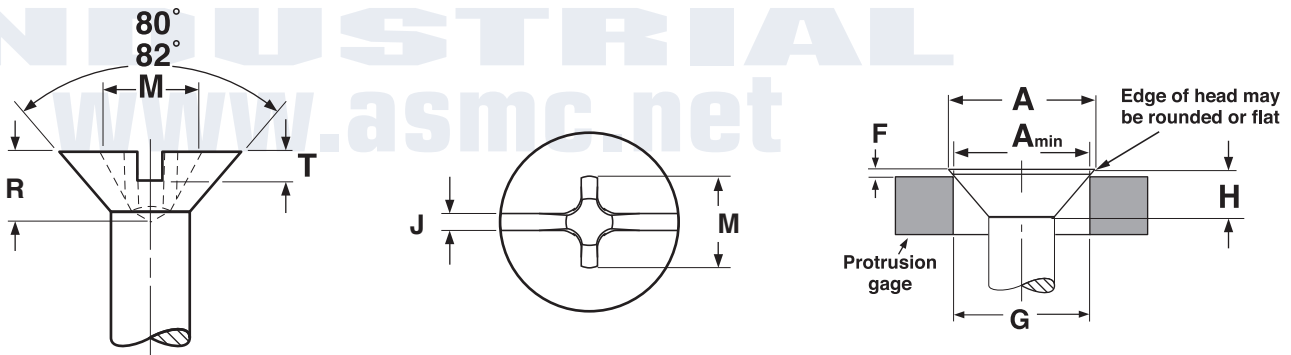


**Combo Binding Undercut  
Combo 82° Flat**

**HEAD DIMENSIONS**



COMBINATION BINDING UNDERCUT HEADS FOR MACHINE SCREWS															ASME B18.6.3 2013			
Nominal Size	A		F		O		J		T		M	G		Driver Size	U		X	
	Head Diameter		Height of Head				Width of Slot		Depth of Slot		Phillips Recess		Dimensions of Undercut					
			Height of Oval		Total Height						Diam	Penetration Gaging Depth			Diameter		Depth	
	Max	Min	Max	Min	Max	Min	Max	Min	Max	Min	Ref	Max	Min		Max	Min	Max	Min
4	.235	.223	.025	.018	.068	.061	.039	.031	.042	.030	.111	.070	.052	1	.184	.161	.012	.007
6	.290	.275	.032	.024	.087	.078	.048	.039	.053	.040	.153	.077	.053	2	.226	.199	.015	.010
8	.344	.326	.039	.029	.105	.095	.054	.045	.065	.050	.179	.103	.079	2	.269	.236	.017	.012
10	.399	.378	.045	.034	.123	.112	.060	.050	.077	.060	.198	.123	.098	2	.312	.274	.020	.015



COMBINATION FLAT HEADS FOR MACHINE SCREWS															ASME B18.6.3- 2013	
Nominal Size	A		H		J		T		M	R		F		G	Phillips Driver Size	
	Head Dimensions				Slot Dimensions				Recess Dimensions			Protrusion Above Gaging Diameter		Gaging Diameter		
	Diameter		Height		Width		Depth		Diam.	Penetration Gaging Depth		Max	Min			
	Max	Min	Max	Min	Max	Min	Max	Min	Ref	Max	Min	Max	Min			
4	.212	.191	.067	.055	.039	.031	.030	.020	.122	.082	.066	.032	.019	.172	1	
6	.262	.238	.083	.069	.048	.039	.038	.024	.168	.095	.072	.036	.021	.220	2	
8	.312	.285	.100	.084	.054	.045	.045	.029	.182	.110	.087	.039	.023	.267	2	
10	.362	.333	.116	.098	.060	.050	.053	.034	.198	.125	.102	.042	.025	.313	2	