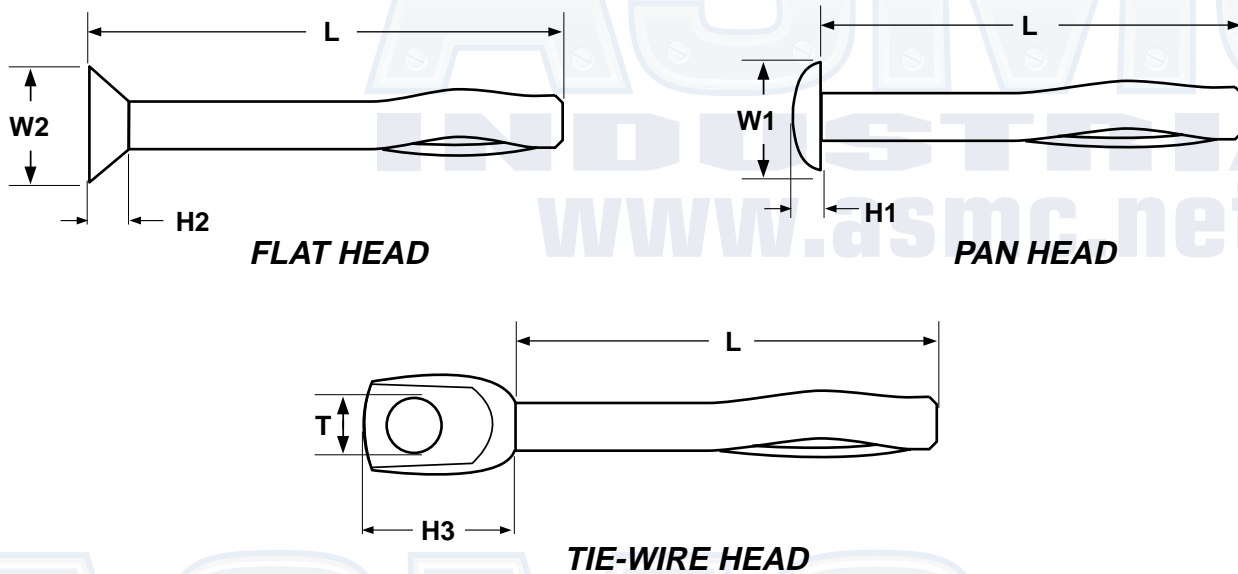


Anchors

Split Drive

Flat, Pan & Tie-Wire



SPLIT DRIVE ANCHORS										FF-S-325, Group VI	
Anchor Size	Fixture Clearance Hole	H1	W1	H2	W2	H3	T	Performance Data			
		Round Head		Flat Head		Tie-Wire		Embedment Depth	In 4000 psi. Concrete		
		Height	Width	Height	Width	Head Height	Tie Wire Hole		Min	Tensile (lbs.)	Shear (lbs.)
		Ref	Ref	Ref	Ref	Ref	Ref				
3/16	1/4	3/32	3/8	7/64	3/8	-	-	7/8	1350	1520	
1/4	5/16	1/8	1/2	9/64	1/2	5/8	13/64	1 1/8	2200	2320	
3/8	7/16	3/16	3/4	-	-	-	-	1 7/8	5300	7810	
1/2	9/16	1/4	1	-	-	-	-	2 5/8	6200	11,340	

Description	A one-piece steel anchor with two sheared or "split" halves at the base which are pre-expanded to a specific size. Split drive anchors are available in flat head, pan and tie-wire head styles.
Applications/Advantages	A light-duty anchor for use with dead loads in concrete or stone. The opening in the base of the anchor is of a size which, when under pressure, the anchor will try to regain, which creates the pressure on the inner walls of the hole, holding the fastening in place. The friction caused by this expansion can compensate for poor grades of concrete.
Material	Heat treated AISI 1038 or an equivalent alloy steel
Anchor Spacing	Should be at least ten anchor diameters between anchors and a minimum of five anchor diameters from the edge of the work surface.
Tensile and Shear Strengths	Split drive anchors shall not be removable or show evidence of failure when subjected to axially applied proof test loads as specified in the above table when set in concrete of 4000 psi. compressive strength. The suggested safe working load is one-fourth the loads shown in the above table.
Plating	Split drive anchors are most frequently supplied with a zinc plating.